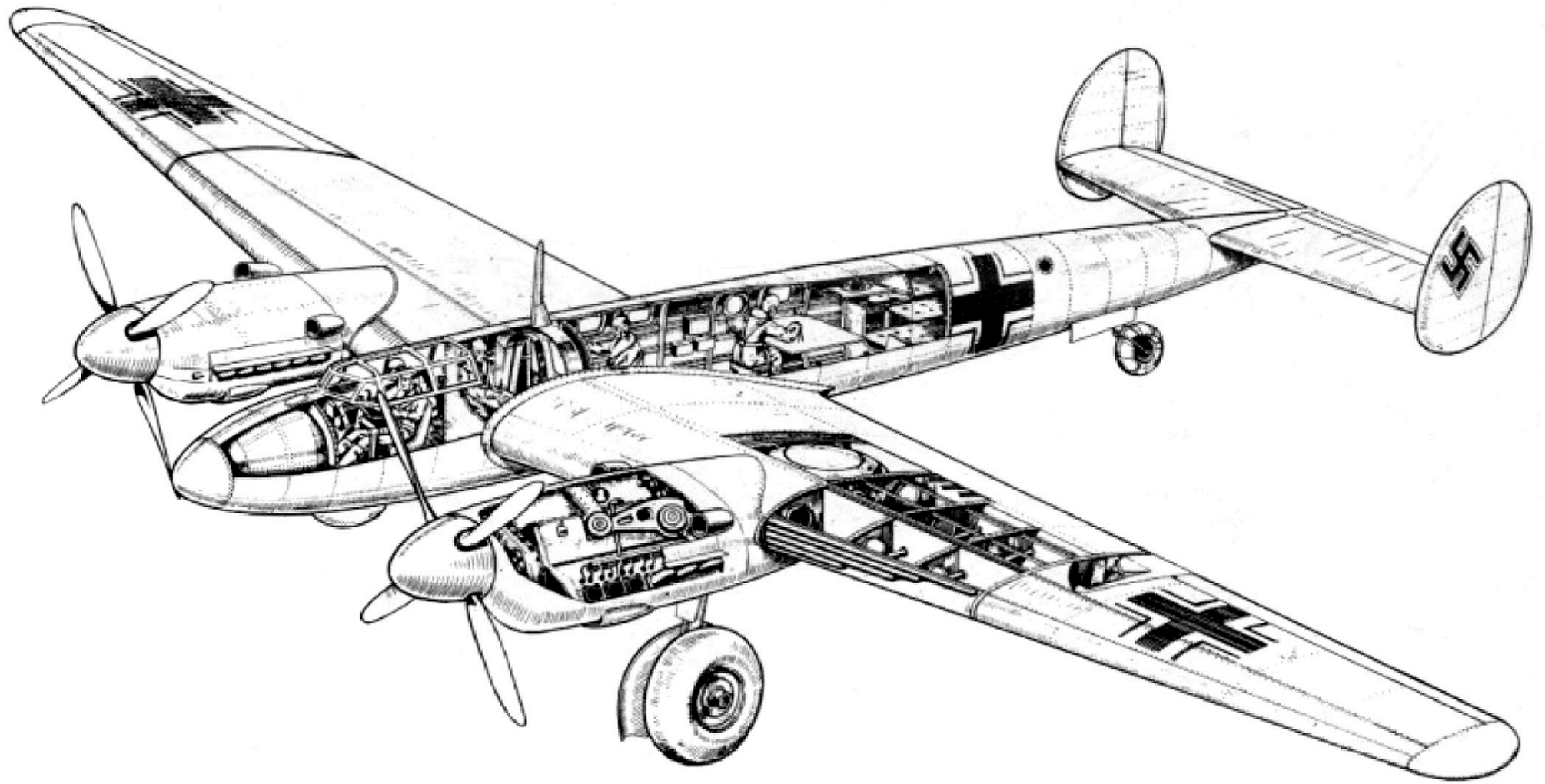
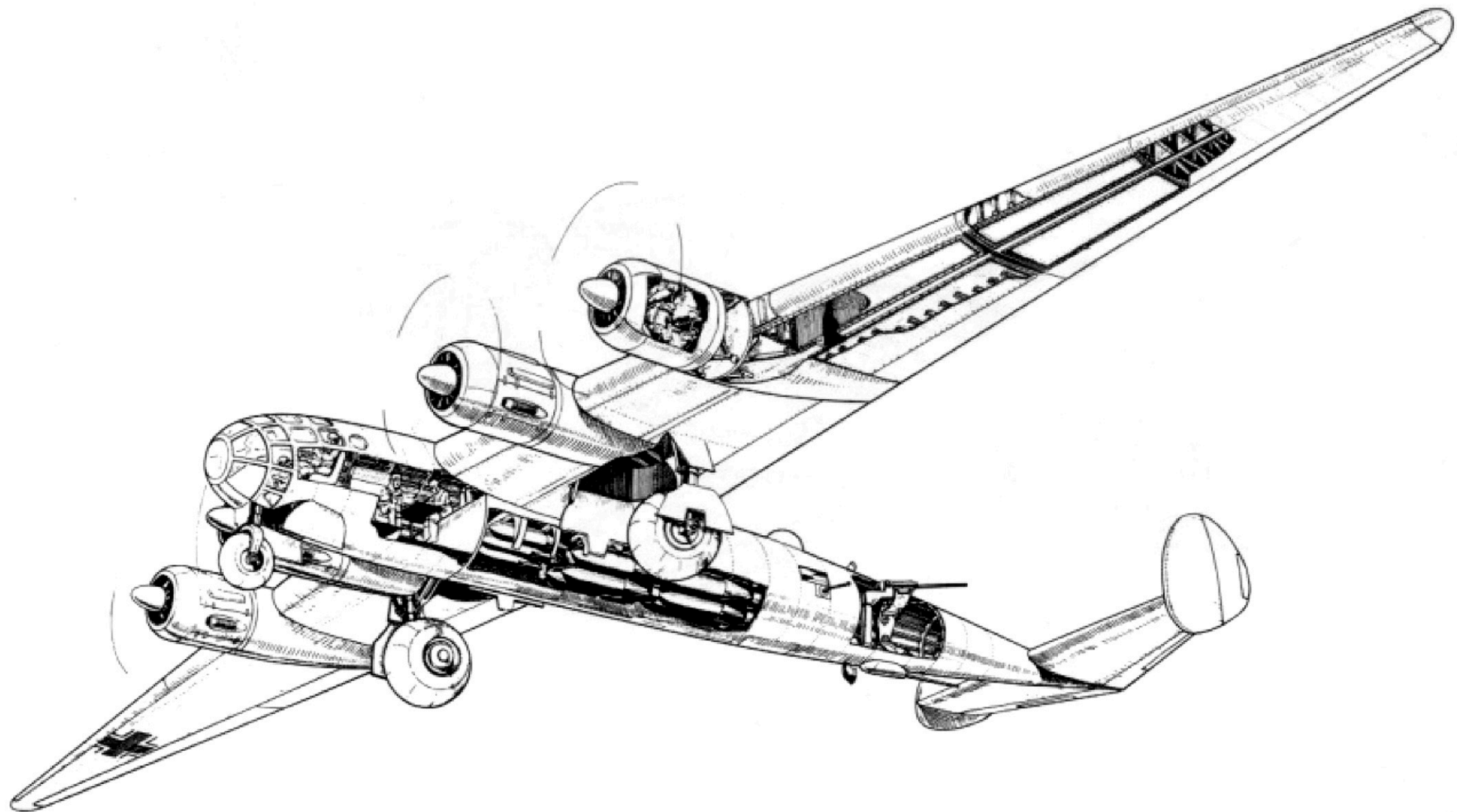


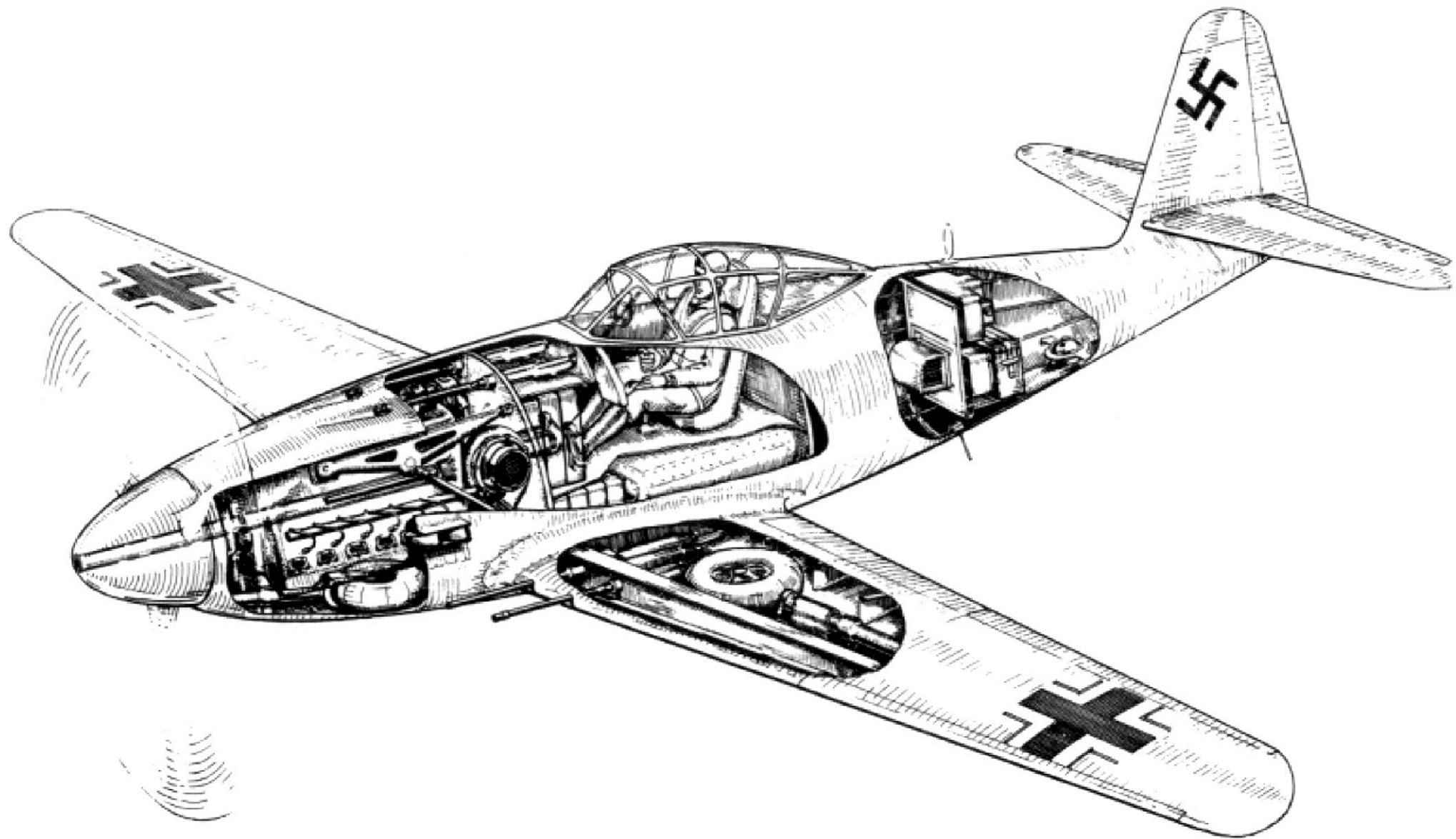
**Bf (Me) - 110A/G**

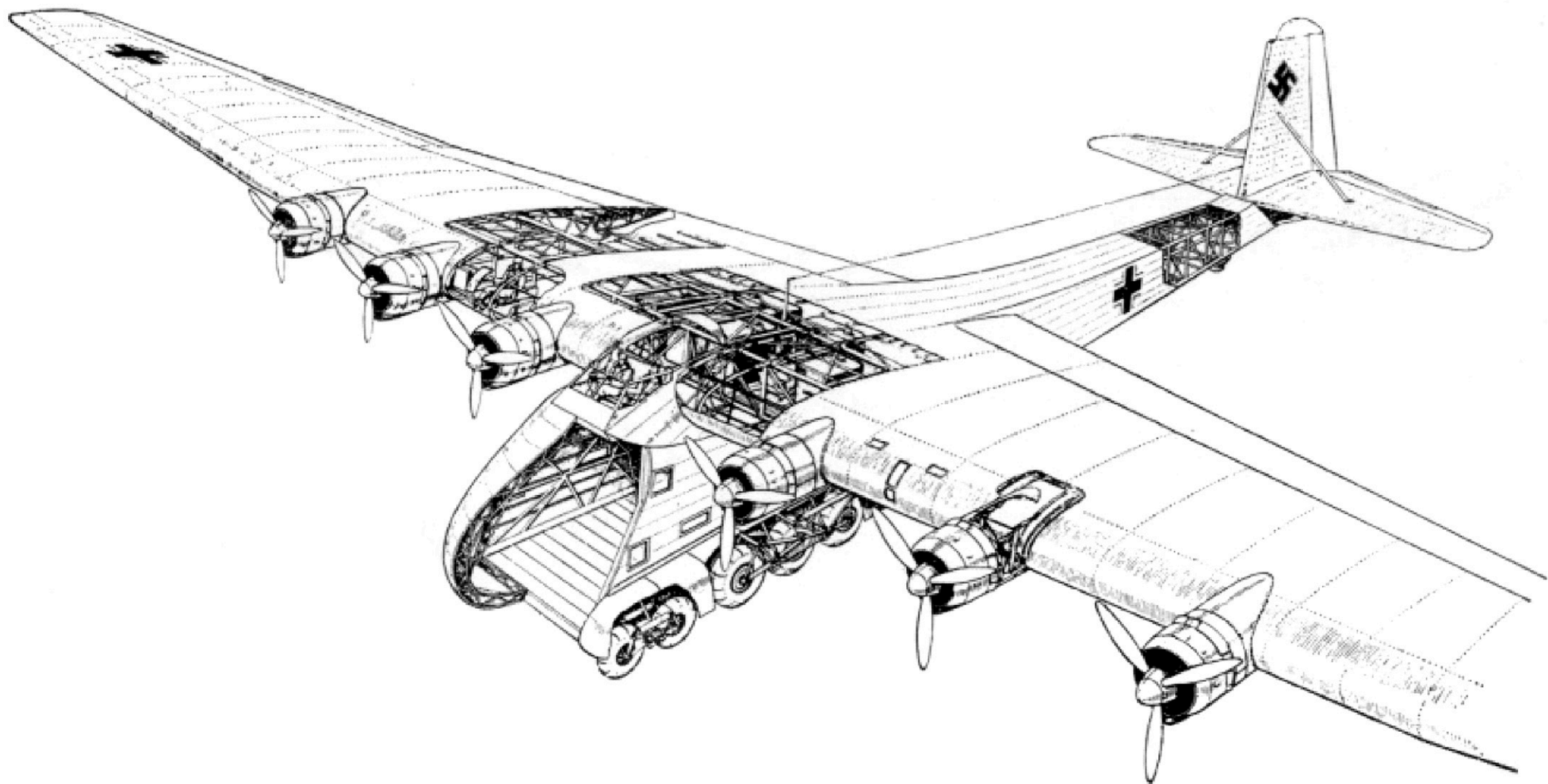


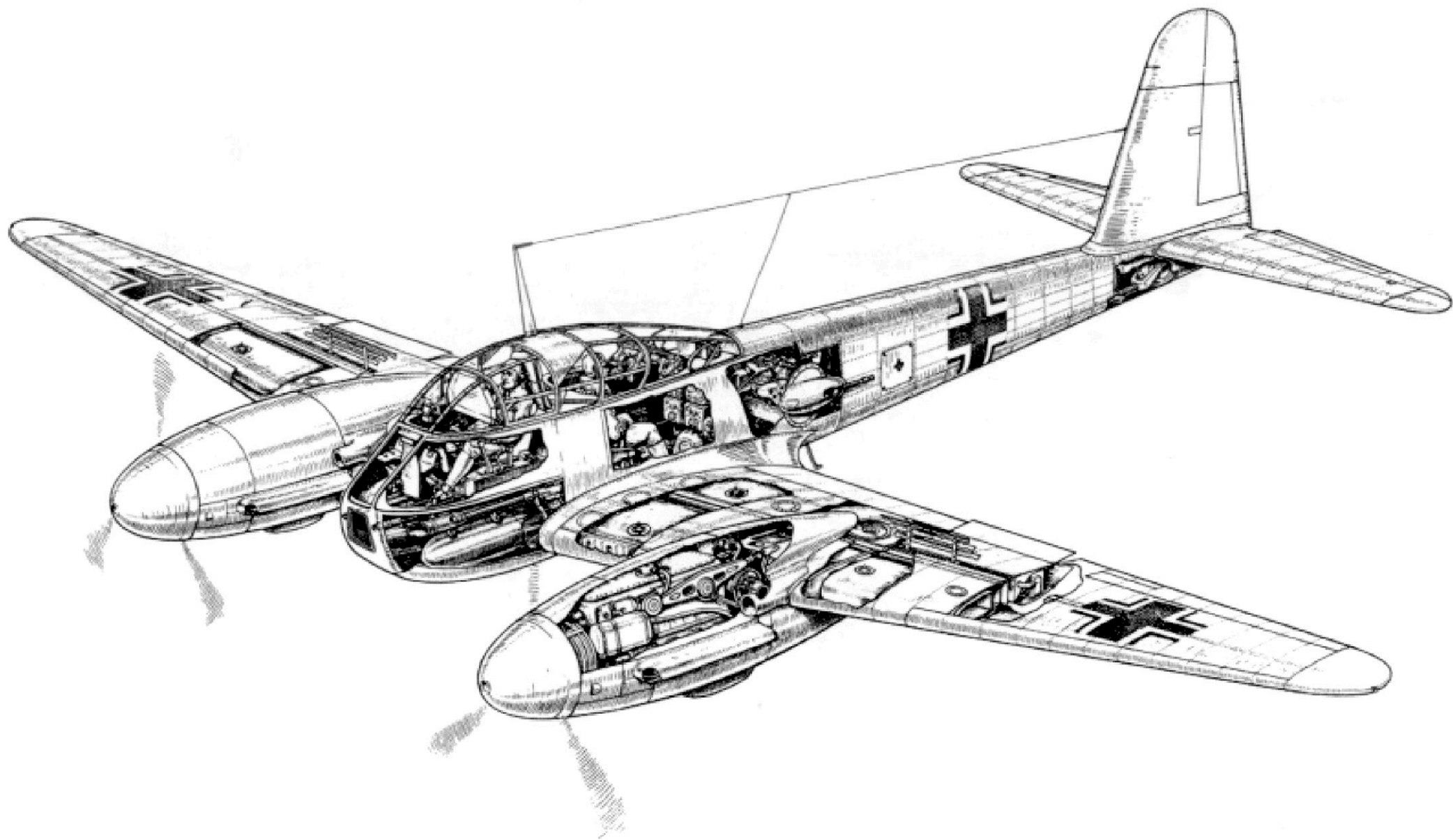
Me - 261



Me - 264

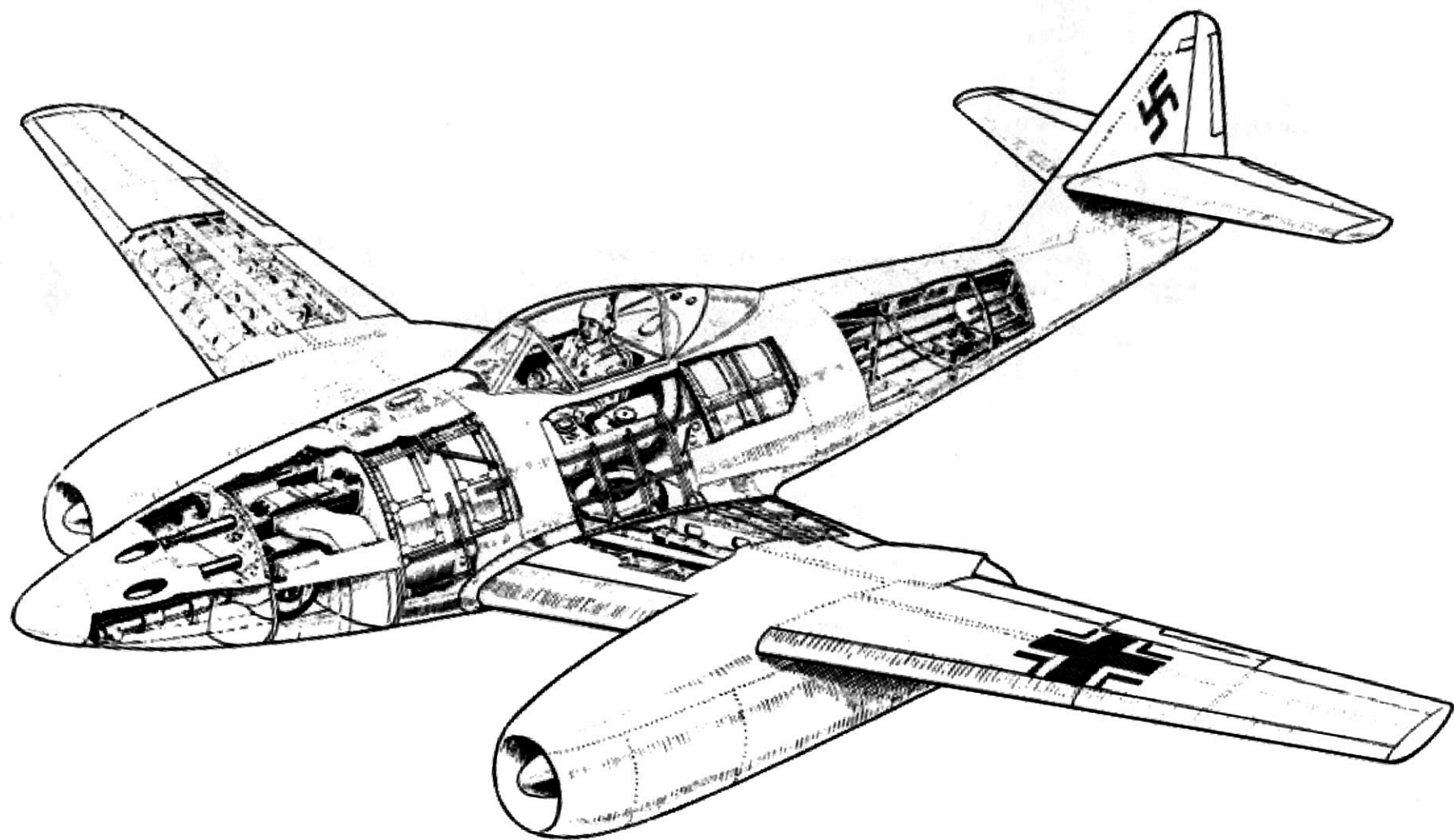




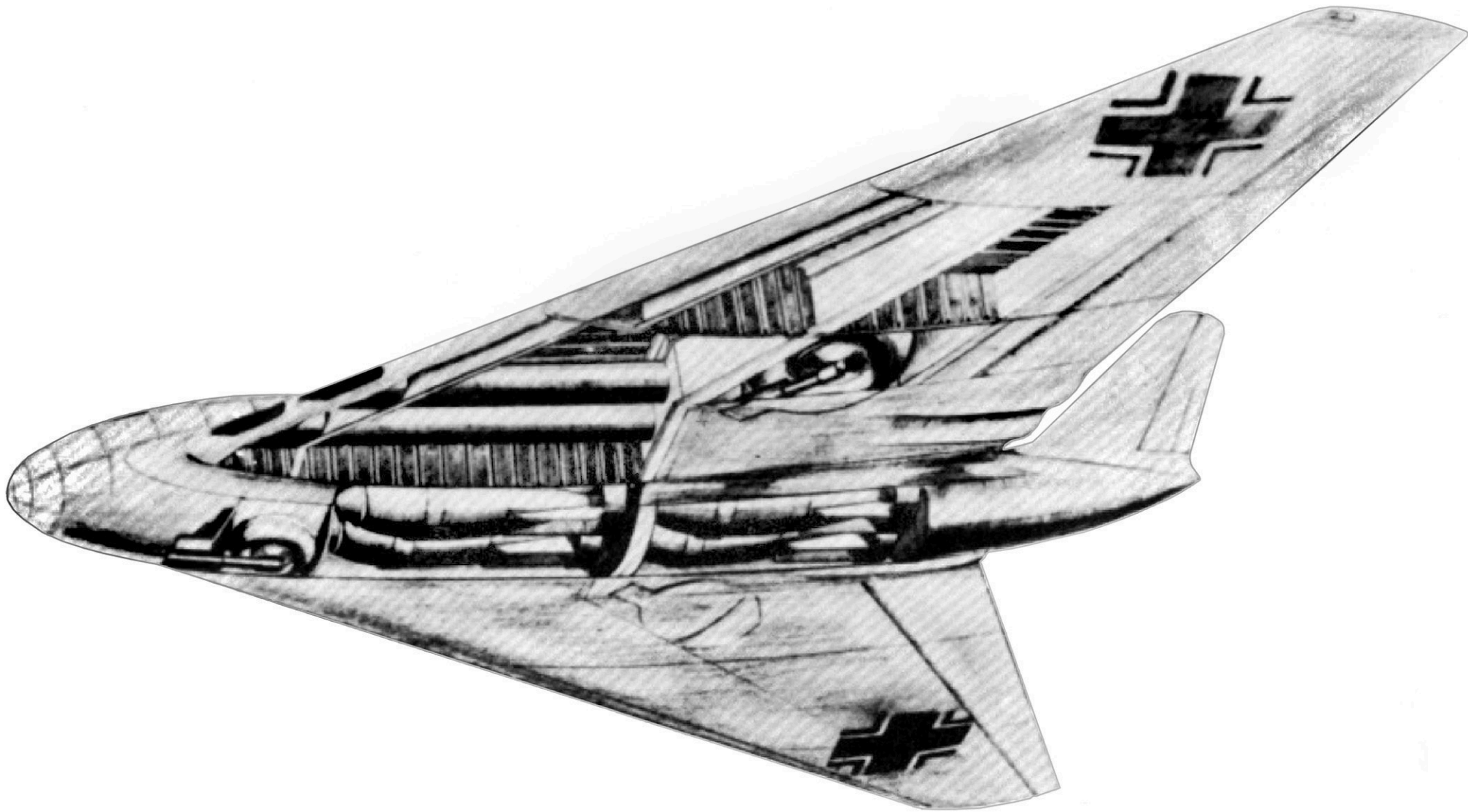


Me - 410 A „Hornisse“

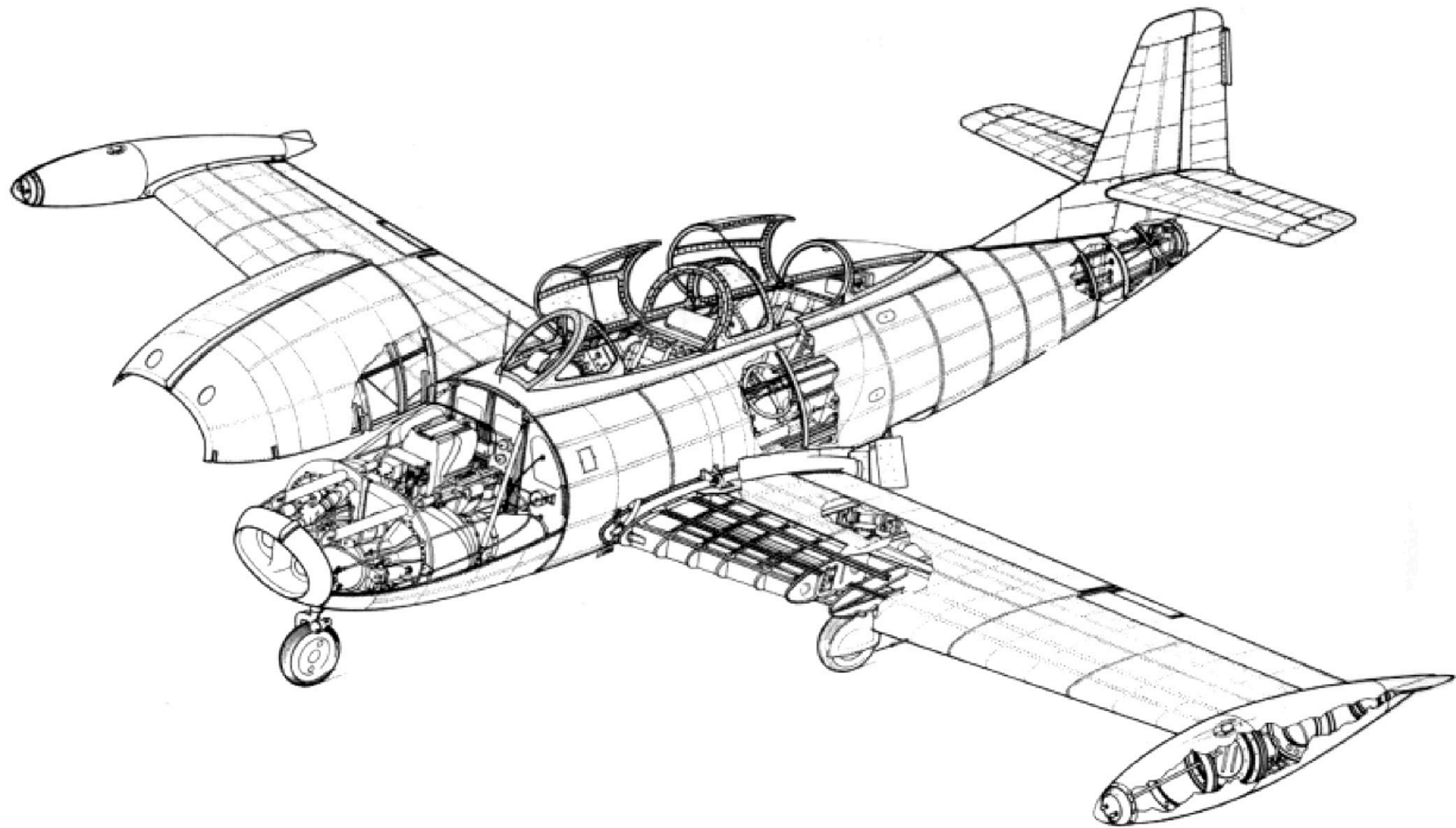




Me — 262 A



P-1108



Me (HA) — 200 „Saeta“

# Jack's

## Aerospace History Files



Uwe W. Jack

This is a document from  
Uwe W. Jack's archive.

These documents are intended to  
illustrate aspects of aerospace history.

You are free to share it with friends.  
commercial use is prohibited.

Uwe W. Jack occasionally puts  
new documents on his website.

Please visit:

[www.aerospace-jack.com](http://www.aerospace-jack.com)

### Junkers Ju 287

The most advanced  
Jet-Bomber  
of the Luftwaffe

This is the story of an aircraft that might  
have changed the air-war in 1945/46.  
Lots of photos, drawings, information,  
data and more than 6000 words give  
a detailed insight into the development  
of this unique piece of aviation.

Available as eBook on

**Amazon**

and

**smashwords**

